

L140AD-4L

14-inch Rugged Laptop with Intel® Core™ i5-1235U



KEY FEATURES

- 12th Gen. Intel® Processor Family – Alder Lake Processor
- 14" 1920 x 1080 FHD LED panel
- Dual battery with hotswappable design for whole day work
- Magnesium alloy enclosure with double injection for drop protection

CE FCC IC

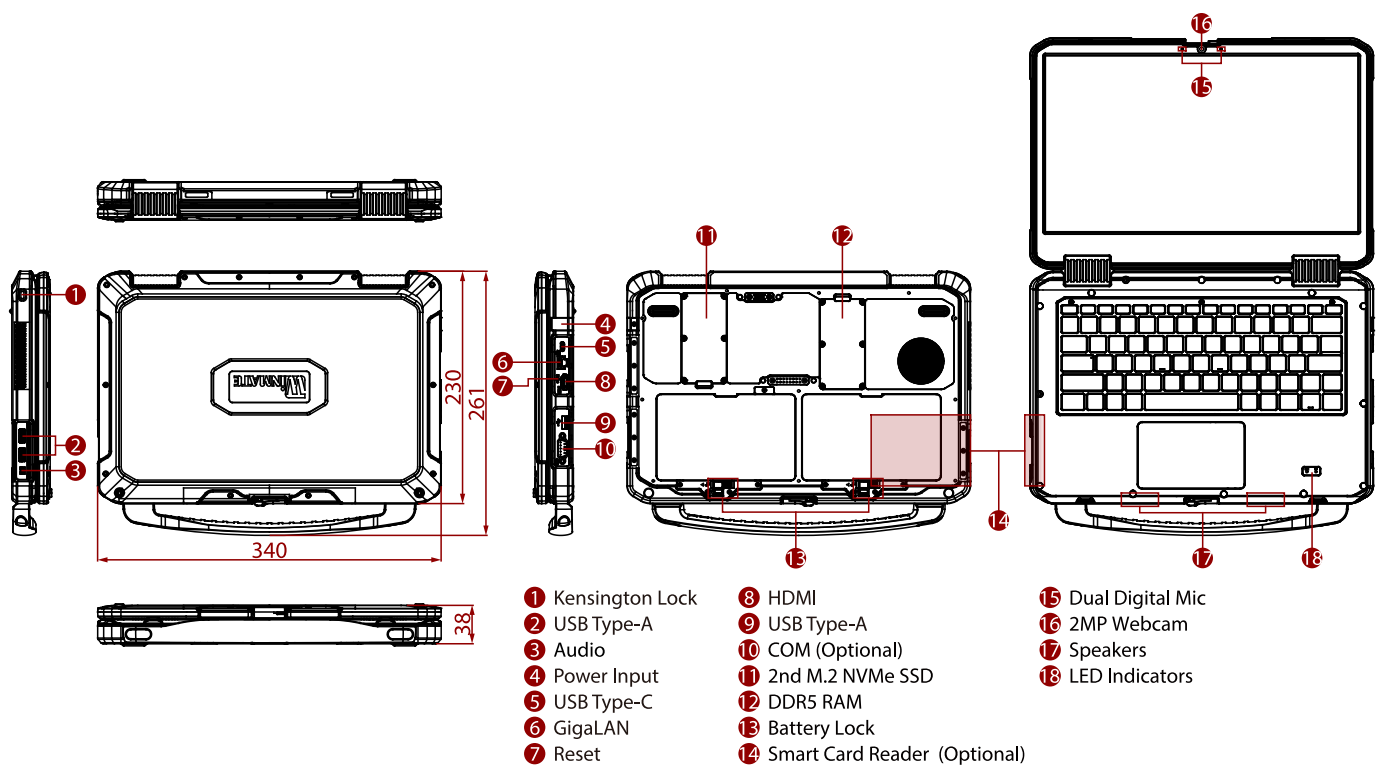


SPECIFICATIONS

Display	
Resolution	1920x1080
Contrast Ratio	800:1
View Angles	85,85,85,85
Size	14.0 inches
Panel Brightness	300.0 nits
System Specification	
Processor	Intel Core i5-1235U (up to 4.4GHz)
Memory	8GB DDR5 SDRAM 16GB DDR5 SDRAM (Optional) 32GB DDR5 SDRAM (Optional)
Storage	256GB M.2 NVMe SSD 512GB M.2 NVMe SSD (Optional) 1TB M.2 NVMe SSD (Optional) 2TB M.2 NVMe SSD (Optional) 2nd storage available with up to 2TB M.2 NVMe SSD (Optional)
Security	Trusted Platform Module (TPM) 2.0 Kensington Lock
Operating System	Windows 10 IoT Enterprise LTSC (64 bit) Windows 11 IoT Enterprise LTSC (64 bit) (Optional)
WLAN	Support
BT	Support
WWAN	4G LTE (Optional) 5G (Optional)
Smart Card Reader	Smart Card Reader (Mutually exclusive with 2nd LAN) (Optional)
Camera	
Front Camera	2MP Front Camera
Mechanical	
Dimension	340 x 230 x 38 mm
Weight	2.5 kg
Cooling System	Fan Design
IO Ports	
USB Port	1 x USB 3.0 (Type C) 3 x USB 3.0 (Type A) (One USB-A is mutually exclusive with 2nd LAN)
SD Card Slot	1 x Micro SDXC Slot
SIM Card Slot	1 x Nano SIM card slot
Video	1 x HDMI 4K Output
Audio	1 x Audio combo 3.5mm audio combo jack Dual Digital Mic With Noise Cancellation Dual Speaker
LAN	1 x RJ45-10/100/1000 GigaLAN port Optional 2nd LAN (Mutually exclusive with one USB-A & Smart Card Reader)
Indicator	2x LED Indicator for Power, Battery
Environment	

Operating Humidity	10% to 90% RH, non-condensing	Operating Temperature	-10°C to 50°C
Storage Temperature	-30°C to 70°C	Shock	MIL-STD-810H Method 516.8 Procedure I
Vibration	MIL-STD-810H Method 514.8 Procedure I	IP rating	IP65
Drop	MIL-STD-810H Method 516.8, 3 ft		
Certification			
Certification	CE, FCC		
Security Function			
SOTI MobiControl	SOTI MobiControl Compliance	Kensington Lock	Kensington Lock Support
Control			
Button	QWERTY keyboard with backlight		
Power			
Battery	Hot-swappable 2 x 11.55V, typ. 3220 mAh Li-Ion Battery (3S1P)	Battery Operating Time	Standard Battery: 11 hours
Power Rating	19V DC	Adapter	100-240V, 50-60Hz / 19V DC

DIMENSIONS UNIT:MM



NOTE

- / Disclaimer /
- Accessories and Integrated Options may vary depending on your configuration.
 - Total usable memory and storage will be less dependent upon actual system configuration.
 - The actual transfer speed will vary depending on many factors including the processing speed of the host device, file attributes, and other factors related to the system configuration and your operating environment.
 - The USB Type-C connector follows USB 3.0 standard, which does not support Alternate Mode (ALT) or USB Power Delivery (USB-PD).
 - The battery life is measured at dimming LCD brightness. Varies depending on the usage conditions, or when an external device is attached.
 - The 2D drawing is simplified drawing and some components are not marked in detail.
 - Length measurements do not include protrusions. Weight varies with options.
 - TPM 2.0 available upon request.
 - SOTI is available upon request.
 - The product shown in this datasheet is a standard model. For diagrams that contain customized or optional I/O, please contact the Winmate Sales Team for more information.